

Conductive Plastic Angle Sensor

CP-2FBJ-6 Series



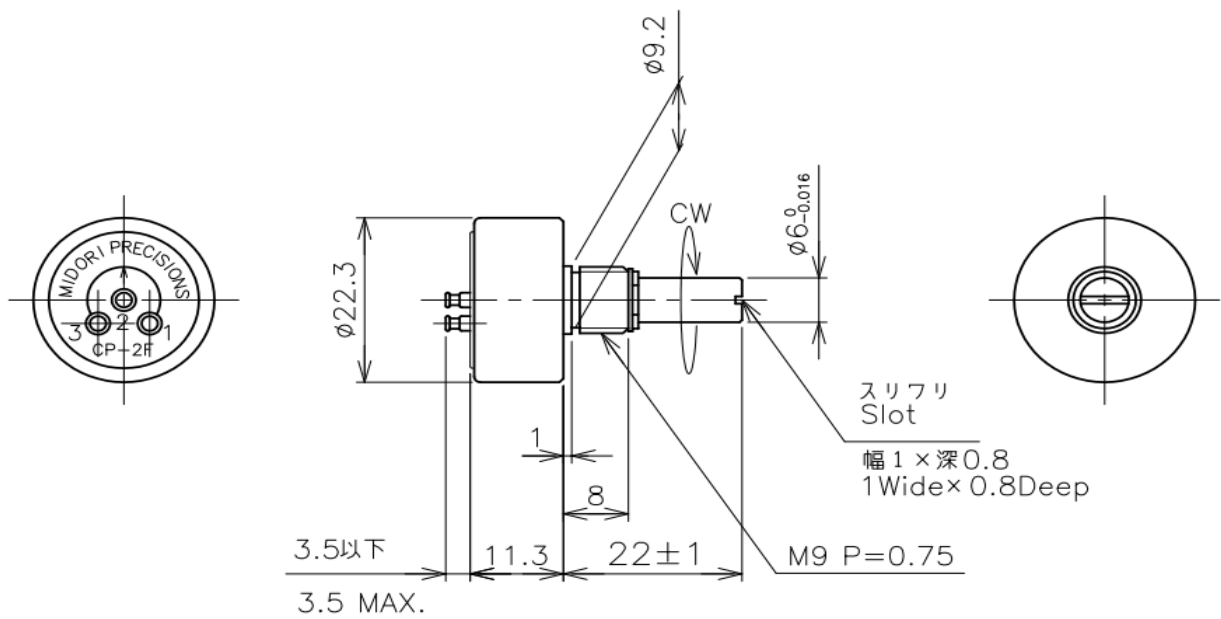
- Conductive Plastic Angle Sensor
- Effective Electrical Travel : 340°
- Independent Linearity : ±1%
- Bushing Mount

- CP-2FBJ-6 : Metal Sleeve Bearing
- CP-2FBGJ-6 : Metal Sleeve Bearing & O-ring

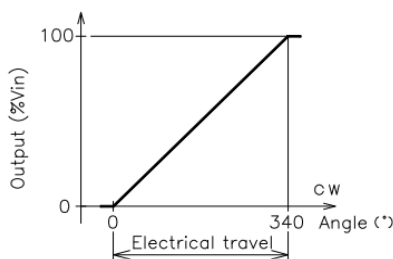
【Material】

- Housing : Aluminum
- Shaft : Stainless Steel

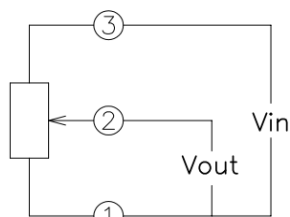
Dimension [mm]



Output Characteristics

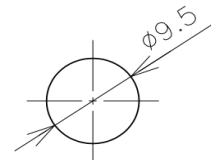


Schematic



•①, ②, ③: Terminal No.

Mounting



【Model No.】	CP-2FBJ-6	CP-2FBGJ-6
--------------------	------------------	-------------------

【Electrical Specifications】

Effective Electrical Travel	340 +2, -3	°
Total Resistance	1, 2, 5, 10	kΩ
Total Resistance Tolerance	±20	%
Independent Linearity	±1	%
Rated Dissipation	0.5/50°C	W
Output Smoothness	MAX. 0.1	%
Insulation Resistance	MIN. 100/DC1000V	MΩ
Dielectric Strength	AC1000/1 Minute	V
Temperature Coefficient of Resistance	±400	ppm/K

【Mechanical Specifications】

Total Mechanical Travel	360 Endless		°
Torque	MAX. 3.5	MAX. 20	mN·m
Thrust Load Tolerance	1		N
Radial Load Tolerance	2		N
Mass	Approx. 20		g

【Environmental Specifications】

Life Cycles	10 Million	Cycle
Category Temperature Range	-40 ~ +100	°C
Storage Temperature Range	-40 ~ +100	°C
Vibration	150m/s ² 2000Hz 3axis 2 hours each	
Shock	500m/s ² 11ms 6 directions 3 times	

■Accessories

M9 Nut
Toothed Lock Washer (Internal) 1pc each

■Handling Instruction

- To avoid burnout of resistive element, do not supply more than 1mA current to terminal 2.
- Miswiring might cause burnout of resistive element.
- To reduce sliding noise, add load resistance should be more than 100times and less than 1000times of total resistance.
- Slight continuous vibration such as dither might cause short lifetime of the sensor.