

Conductive Plastic Linear Sensor

LP-30FQJ Series

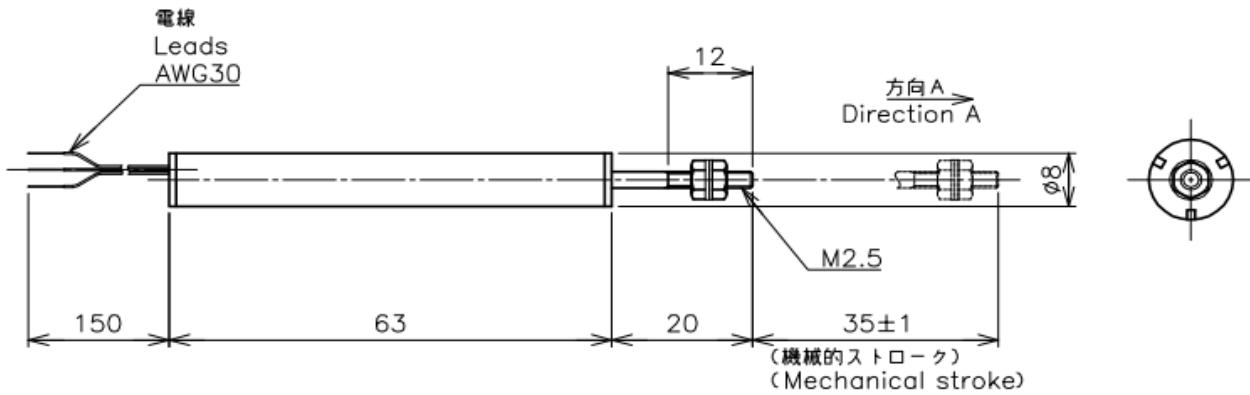


- Conductive Plastic Linear Sensor
- Effective Electrical Travel : 30mm±0.5mm
- Independent Linearity : ±1%

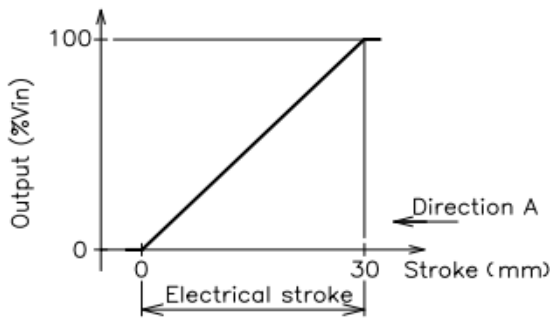
【Material】

- Housing : Copper Alloy, Nickel Plate
- Shaft : Stainless Steel

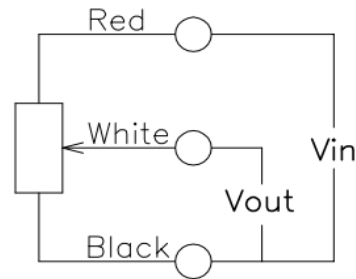
Dimension [mm]



Output Characteristics



Schematic



• Red, White, Black indicate lead colors.

【Model No.】	LP-30FQJ
--------------------	----------

【Electrical Specifications】

Effective Electrical Travel	30±0.5	mm
Total Resistance	1	kΩ
Total Resistance Tolerance	±20	%
Independent Linearity	±1	%
Rated Dissipation	0.9/70°C	W
Output Smoothness	MAX. 0.1	%
Insulation Resistance	MIN. 100 / DC 500V	MΩ
Dielectric Strength	AC500 / 1 Minute	V
Temperature Coefficient of Resistance	±400	ppm/K

【Environmental Specifications】

Friction	MAX. 0.3	N
Mass	Approx. 15	g

■Accessories

M3 Nut

Plain washer 2 pieces each

■Handling Instruction

- To avoid burnout of resistive element, do not supply more than 1mA current to terminal white.
- Miswiring may cause burnout of resistive element.
- To reduce sliding noise, add load resistance should be more than 100times and less than 1000times of total resistance.
- Slight continuous vibration such as dither might cause short lifetime of the sensor.