

Conductive Plastic Linear Sensor

CPP-45-LS Series

- Wire Extension Type Conductive Plastic Linear Sensor
- Effective Electrical Trave 1640mm(CPP-45-150LS)
2235mm(CPP-45-200LS)
- Independent Linearity : $\pm 0.3\%$

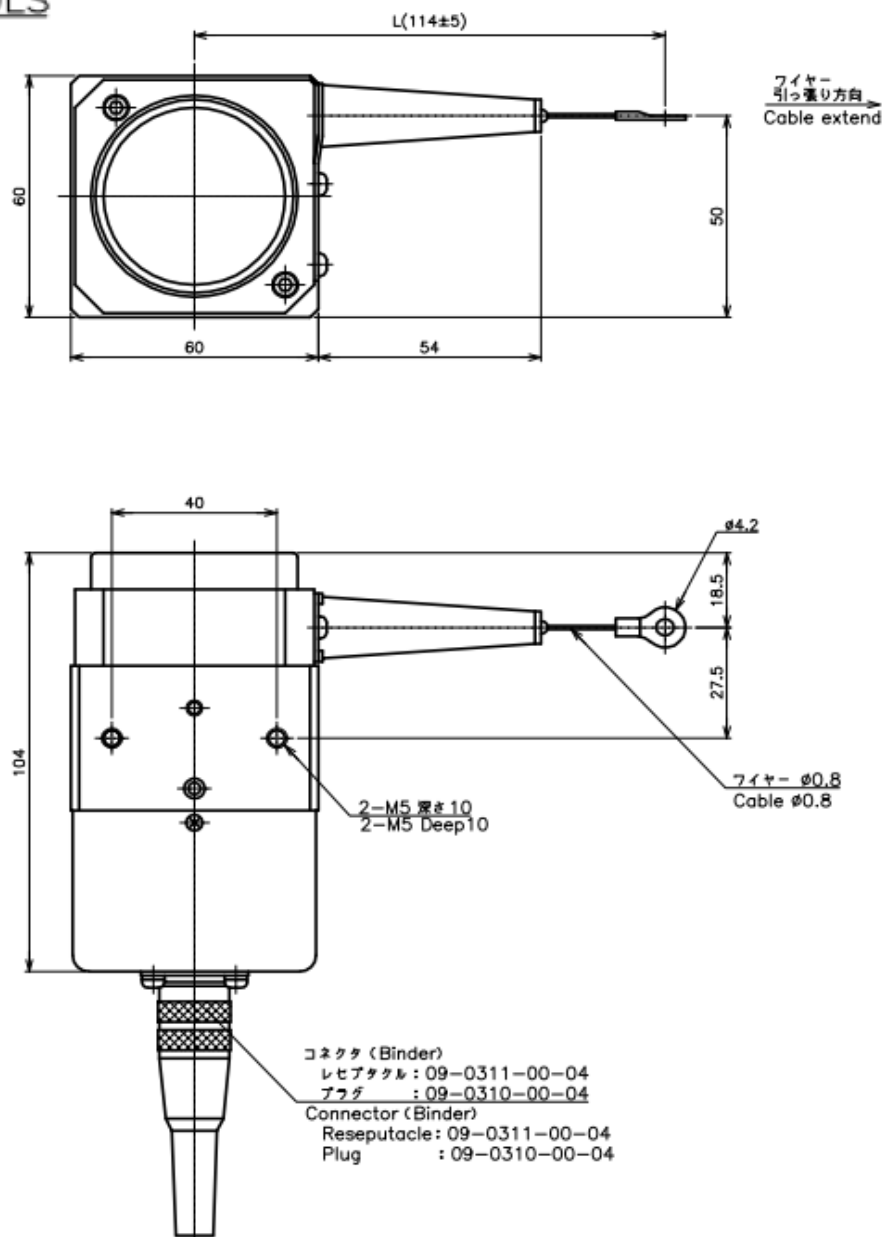
【Material】

- Housing : Aluminum
- Cable : Stainless Steel

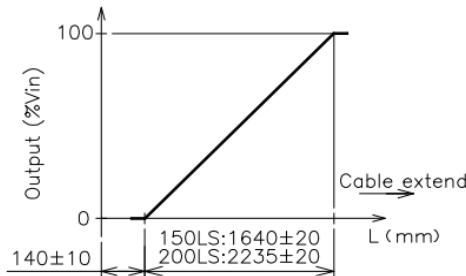
■Dimension [mm]

CPP-45-150LS

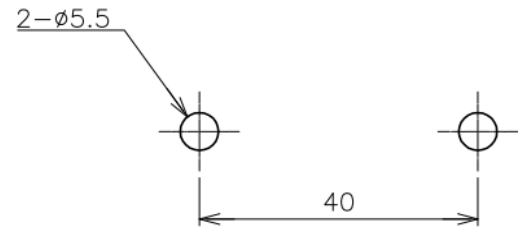
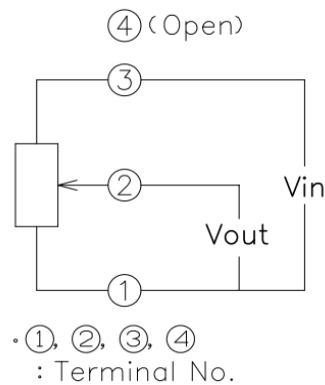
CPP-45-200LS



Output Characteristics



Schematic



Mounting

【Model No.】

CPP-45-150LS

CPP-45-200LS

【Electrical Specifications】

Effective Electrical Travel	1640±20	2235±20	mm
Total Resistance	0.5, 1, 2, 5, 10, 20		kΩ
Total Resistance Tolerance	±15		%
Independent Linearity	±0.3		%
Rated Dissipation	3/70°C		W
Output Smoothness	MAX. 0.1		%
Insulation Resistance	MIN. 100 /DC 1000V		MΩ
Dielectric Strength	AC1000 /1 Minute		V
Temperature Coefficient of Resistance	±400		ppm/K

【Mechanical Specifications】

Wire Tension	MAX. 8	N
Tracking	MAX. 1	m/s
Mass	Approx. 650	g
Backlash	MAX. 0.5	%

【Environmental Specifications】

Category Temperature Range	-5 - +60	°C
Storage Temperature Range	-5 - +60	°C

Accessories

Connector Plug : BINDER Parts# 09-0310-00-04
(Mating Cable outer dimension : Φ 8)

Handling Instruction

- To avoid burnout of resistive element, do not supply more than 1mA current to terminal 2.
- Miswiring may cause burnout of resistive element.
- To reduce sliding noise, add load resistance should be more than 100times and less than 1000times of total resistance.
- Slight continuous vibration such as dither might cause short lifetime of the sensor.
- Do not pull cable over beyond the red mark on the cable.
- Do not retract the cable freely.
- Partial bending of cable might be caused deformation of cable.
- Please instructed water proofing of the connector from connector maker.