

Multi-turn Dial

# D-14 Series

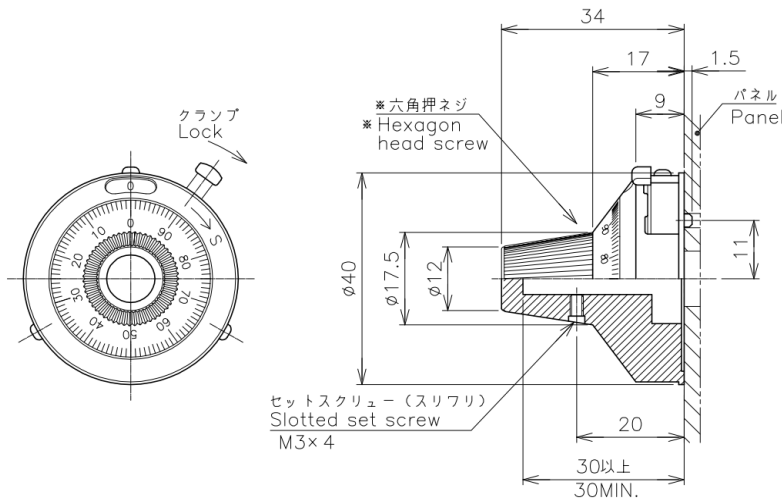


- Multi-turn Dial (analog)
- Use with HP-16 10-turn wire wound potentiometer

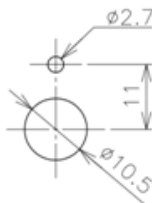
**【Material】**

● Housing : Zinc, Aluminum, Copper Alloy, POM

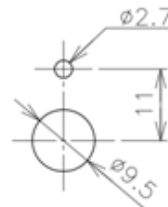
**Dimension [mm]**



**Mounting**



Recommend Installation panel thickness  
3.55 ~ 4.2mm



Recommend Installation panel thickness  
1.95 ~ 2.6mm

If Panel thickness is 2.6<3.55mm, please use spacers which are inner diameter 10.5mm to become 3.55~4.2mm thickness.

**【Specifications】**

Number Of Turns	20	Turns
Minor Scale Division	1/1000	
Mass	Approx. 60	g
Applicable Potentiometer	HP-16 (10-turn wire wound potentiometer)	
Applicable Panel Thickness	1.95 ~ 4.2	mm

**Handling Instruction**

• Please turn the knob by hand.