

## FPX3

Issue 3, 7 October 2013

### 400mW Multichannel 869MHz band transceiver

**FPX3 is a small, high power (half-watt) multi-channel wide band FM transceiver, operating in the Europe-wide 869.40 - 869.65MHz sub-band. It is also available in the Indian licence free 865-867MHz band (General telemetry and RFID).**



Figure 1: FPX3-869-20

#### Features

- Conforms to ETSI EN 300 220-3 and EN 301 489-3
- Conforms to Indian low power requirements for 865 - 867 MHz band
- High performance PLL synthesizer
- +26dBm RF power output
- Data rates up to 20 kbps for standard module
- Usable range over 3km
- Fully screened. Low profile
- Feature-rich interface (RSSI, analogue and digital baseband)
- Re-programmable via RS232 interface

#### Applications

- Asset tracking systems
- Industrial telemetry and telecommand
- High performance security system
- Fire alarms
- ROV control applications
- High speed data modems

#### Technical Summary

- Operating frequency: 868 – 870MHz (EU), 865 - 867MHz (India)
- Maximum of 8 channels (depends on band allocation and data rate)
- Transmit power: 400mW (+26dBm) nominal
- Supply range: +5V regulated
- Current consumption: 500mA (at 400mW output) transmit, 50mA receive
- Data bit rate: 20kbps max. (standard module)
- Receiver sensitivity: -115dBm for 12dB SINAD (20kbps variant)  
-117dBm for 12dB SINAD (10kbps variant)
- Size: 67 x 30 x 12mm

**Evaluation Platform:** Narrow Band Evaluation Kit

# FPX3 869MHz half-watt wideband multichannel transceiver

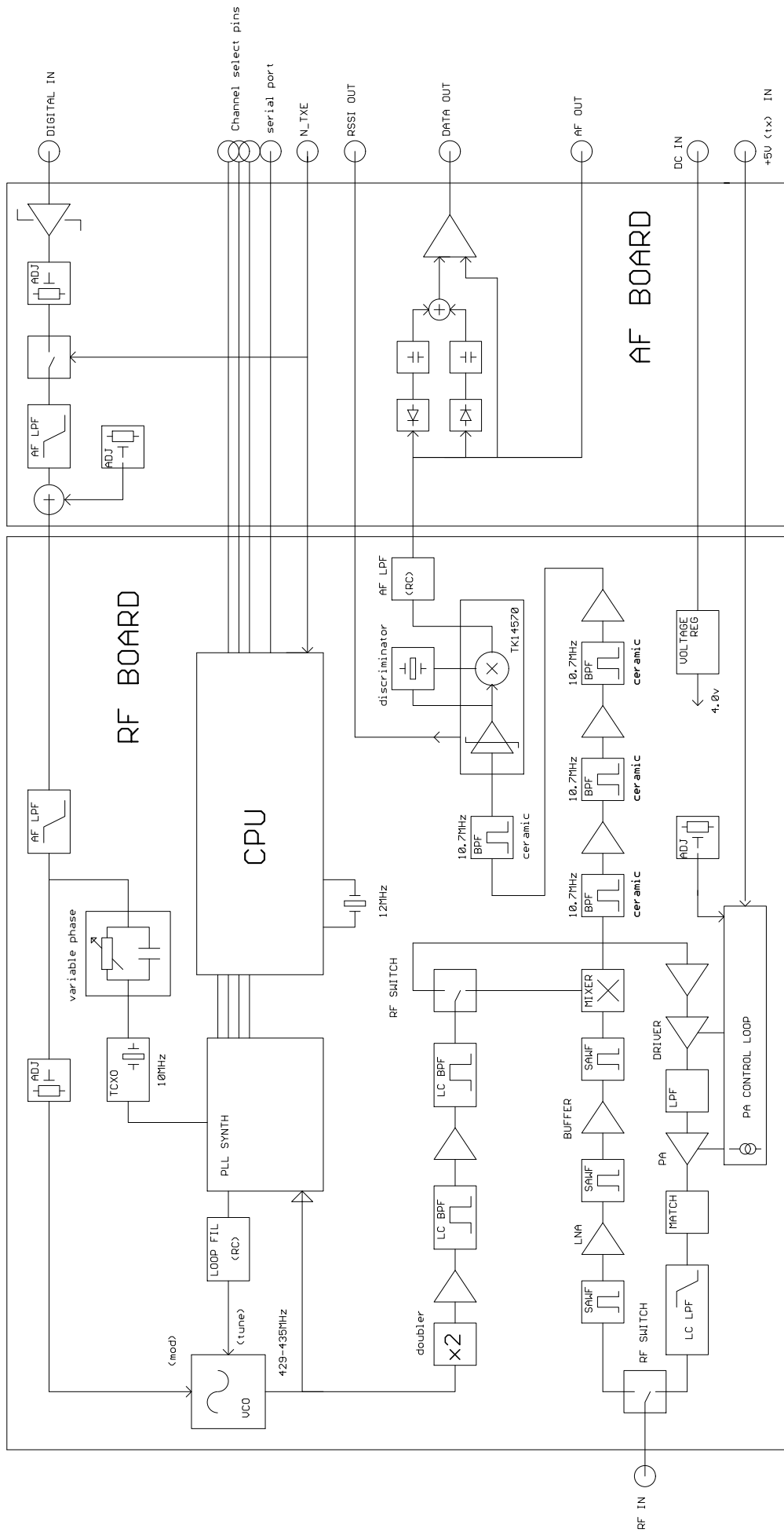


Figure 2: FPX3 block diagram

## FPX3 FOOTPRINT

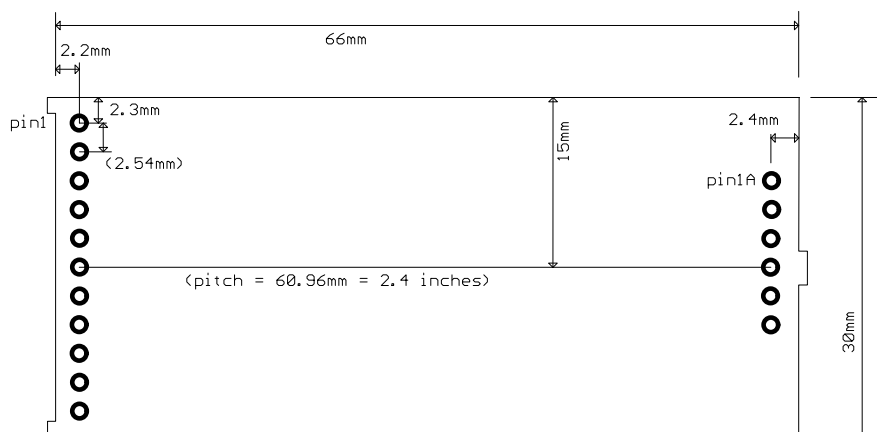


Figure 3: FPX3 footprint (Top) view

### Pin Description

Pins		Normal mode
<b>RF</b>		
1A	NO PIN	
2A	RF in/out	To the antenna
3A	RF Gnd	RF ground
4A	GND	0V
5A	GND	0V
6A	Vcc (TX)	+5V regulated supply for TX <sup>7</sup>
<b>User</b>		
1	TXD	DC coupled input for 5v pp CMOS logic waveforms
2	$\overline{\text{TXE}}$	Transmit enable. Low = TX mode
3	GND	0V
4	Vcc	DC supply input (+5V regulated) <sup>8</sup>
5	P3	Parallel channel select
6	P2	Parallel channel select
7	P1	Parallel channel select
8	PGM in	Serial programming/control input (inverted logic level RS232)
9	RSSI	DC level between 0.5V and 2.5V. 60dB dynamic range
10	RXD	Open collector output of data slicer. 47K pullup to 4V
11	AF out	500mV p-p audio. DC coupled, approx 0.8V bias

### NOTES:

- No inversion occurs between TXD and RXD.
- P1 - P3 (parallel channel selects) and  $\overline{\text{TXE}}$  are active LOW and have internal 47K pullups to 4v
- RXD is an open collector output, with a weak pullup to 4v (approx 50K)
- This radio has no 'internal modem' functions in this version.
- Programming port (P0) operates at 2400 baud. (Command set specific to this design). The unit is capable of operating in 'basic' parallel channel select only mode, or in serial controlled 'expanded' mode
- The high current (500mA maximum) transmitter supply (5v regulated) is fed to a separate pin, on the RF out connector.  
The V supply (pin 4 on the user connector) also requires a 5v regulated supply, and draws up to 50mA  
Both pins must be supplied at all times (most users connect them to a common +5v supply)
- 10% duty cycle: While the FPX3 is capable of transmitting continuously (the case temperature will rise noticeably) this will be in contravention of the sub-band restrictions.  
Units operating in the high power 869.4-869.65MHz sub-band are limited to 10% maximum transmit duty cycle. It is the responsibility of the user to ensure that this restriction is complied with.  
Alternatively, the user may wish to implement a listen-before-talk protocol (using the RSSI output).  
See EN300-220 for further details

## Serial interface commands

Serial data is sent to the unit on the programming input (PGM).  
To successfully program the unit, it must be powered

Unlike earlier Radiometrix multichannel units, the FPX3 has separate N and R registers for each channel, on transmit and on receive. In other words, the frequency of each channel is individually programmed in every mode.

### Commands include:

Commands	Function
<b>GOCHAN a</b>	serial select of channel a (ch0 to 7)
<b>SETPAR</b>	channel selected by 3 bit parallel input
<b>SETSER</b>	channel selected by most recent 'gochan' operation
<b>&lt;cr&gt;</b>	process entry
<b>/</b>	clear all buffers
<b>#</b>	disable command mode

Most users will not need to edit the table which relates channel frequency, channel number and synthesizer register programming values. The commands below are used to access the eeprom table containing this information.

Users should be warned that, in order to get the optimum switching speed from the module, the standard channel setup uses a different reference frequency for each channel, and the absolute calculated channel frequency is allowed to deviate by up to +/-2KHz from the nominal

<b>LOADaa nnnnn (aa = 0 – 7)</b>	load the N values for receive operation
<b>LOADaa rrrrr (aa = 8 – 15)</b>	load the R values for receive operation
<b>LOADaa nnnnn (aa = 16 – 23)</b>	load the N values for transmit operation
<b>LOADaa rrrrr (aa = 24 – 31)</b>	load the R values for transmit operation

Reference frequency (10MHz/R) must be in the range 210 to 300KHz (tx) or 175 to 300KHz (rx).  
As a rule of thumb, an R value greater than 45 (tx) or 55 (rx) should be viewed with suspicion.

a = single digit channel number from 0 to 7

aa = eeprom location number from 0 to 31

nnnnn = a synthesizer N register value, (up to 65535)

rrrrr = the synthesizer R register value, (up to 16383)

### ALL COMMANDS MUST BE IN UPPER CASE.

Notice that the synthesizer and VCO operate at half the output frequency, so for a frequency of 869.475MHz, the actual N/R values will be set for 434.7375MHz

Further information TBA

### NOTE:

- A pause of at least 50ms must be allowed between command strings (EEPROM programming time)

## Condensed specifications (All details are provisional)

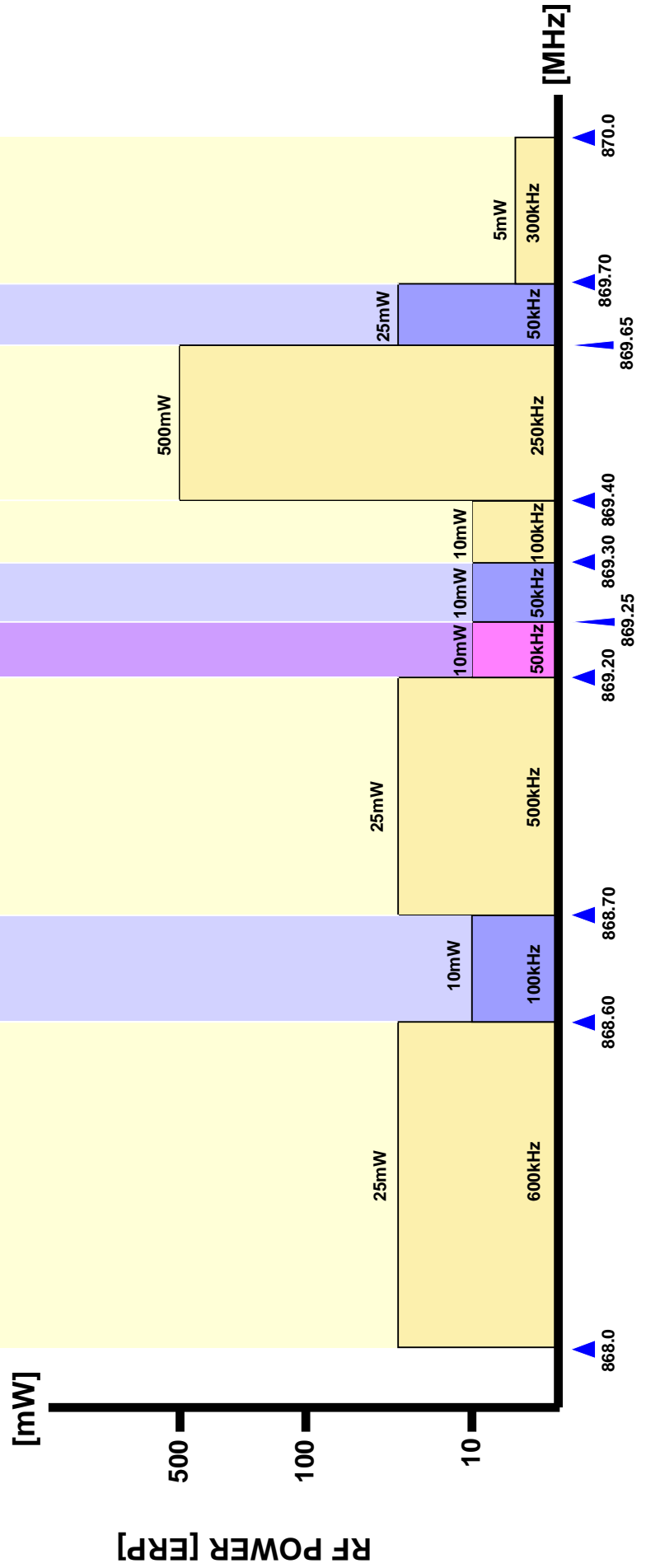
Frequency	868 – 870MHz (EU) 865 - 867MHz ( <i>India</i> )	
<i>Frequency stability</i>	+/-5ppm (better than ±5kHz)	
<i>Channel spacing</i>	100kHz (FPX3-86x-20) 50kHz (FPX3-86x-10)	
<i>Number of channels</i>	8 maximum  FPX3-869-20 for EU CH0: 869.475MHz, CH1-CH3: 869.565MHz CH4-CH7=869.50MHz for backward compatibility	
	FPX3-869-10 for EU CH0:869.450MHz, CH1:869.500MHz, CH2:869.550MHz, CH3:869.600MHz, CH4-CH7=869.50MHz for backward compatibility	
	FPX3-866-10 or FPX3-866-20 for India CH0 = 865.143 MHz CH1 = 865.294 MHz CH2 = 865.500 MHz CH3 = 865.789 MHz CH4 = 866.047 MHz CH5 = 866.383 MHz CH6 = 866.531 MHz CH7 = 866.829 MHz	
Supply	Receive	5.0V regulated at 50mA
	Transmit:	5.0V regulated at 500mA for 400mW output
Operating temperature	-20 to +70 °C (Storage -30 to +70 °C)	
Spurious radiations	Compliant with ETSI EN 300 220-2 and EN 301 489-3 (EU)	
Interface		
	<i>User</i>	11 pin 0.1" pitch molex
	<i>RF and TX supply</i>	5 pin 0.1" pitch molex
Recommended PCB hole size	1.2mm (min.)	
Size	67 x 30 x 12mm	
<b>Transmitter</b>		
Output power	400mW (+26dBm)	
TX on switching time	5 ms	
Modulation type	FM, FSK (F1D, F3D)	
TX modulation bandwidth	DC – 10kHz	
Peak FM Deviation	±16kHz nominal (FPX3-xxx-20) ±8kHz nominal (FPX3-xxx-10)	
Adjacent channel TX power	-37dBm	
TX spuri	<-36dBm	
Inputs	5V pk-pk CMOS data	
<b>Receiver</b>		
Sensitivity	-117dBm for 12dB SINAD at 1KHz (FPX3-xxx-10) -115dBm for 12dB SINAD at 1KHz (FPX3-xxx-20) -107dBm for <0.1% data errors (20kbps NRZ)	
image / spurious	-55dB	
blocking	-80dB	
adjacent channel	-60dB (Tested per. ETSI 300-220-2)	
Outputs	RSSI, Audio, Data	

## Ordering Information

Part No.	Description	Frequency band (MHz)
FPX3-869-10	10kbps, 4-channel EU version	869.40 – 869.65 MHz
FPX3-869-20	20kbps, 2-cannnel EU version	869.40 – 869.65 MHz
FPX3-866-10-IND	10kbps, 8-channel Indian version	865 – 867 MHz
FPX3-866-20-IND	20kbps, 8-channel Indian version	865 – 867 MHz

# CEPT/ERC Rec 70-03, 868 MHz Band Plan

<b>Applications</b>	Non-specific SRD	Alarm	Non-specific SRD	Social Alarm	Alarm	Non-specific SRD	Alarm	Non-specific SRD
<b>Channel Spacing</b>	No Spacing	25kHz or WB	No Spacing	25kHz	25kHz	25kHz or Wide Band	25kHz	No Spacing
<b>Duty Cycle</b>	<1% or LBT	<1%	<0.1% or LBT	<0.1%	<0.1%	<10% or LBT	<10%	up to 100%



# **Radiometrix Ltd**

**Hartcran House  
231 Kenton Lane  
Harrow, Middlesex  
HA3 8RP  
ENGLAND**

**Tel: +44 (0) 20 8909 9595  
Fax: +44 (0) 20 8909 2233  
sales@radiometrix.com  
www.radiometrix.com**

## **Copyright notice**

This product data sheet is the original work and copyrighted property of Radiometrix Ltd. Reproduction in whole or in part must give clear acknowledgement to the copyright owner.

## **Limitation of liability**

The information furnished by Radiometrix Ltd is believed to be accurate and reliable. Radiometrix Ltd reserves the right to make changes or improvements in the design, specification or manufacture of its subassembly products without notice. Radiometrix Ltd does not assume any liability arising from the application or use of any product or circuit described herein, nor for any infringements of patents or other rights of third parties which may result from the use of its products. This data sheet neither states nor implies warranty of any kind, including fitness for any particular application. These radio devices may be subject to radio interference and may not function as intended if interference is present. We do NOT recommend their use for life critical applications.

The Intrastat commodity code for all our modules is: 8542 6000

## **R&TTE Directive**

After 7 April 2001 the manufacturer can only place finished product on the market under the provisions of the R&TTE Directive. Equipment within the scope of the R&TTE Directive may demonstrate compliance to the essential requirements specified in Article 3 of the Directive, as appropriate to the particular equipment.

Further details are available on The Office of Communications (Ofcom) web site:

***<http://www.ofcom.org.uk/>***

### *Information Requests*

*Ofcom*

*Riverside House*

*2a Southwark Bridge Road*

*London SE1 9HA*

*Tel: +44 (0)300 123 3333 or 020 7981 3040*

*Fax: +44 (0)20 7981 3333*

*information.requests@ofcom.org.uk*

### *European Communications Office (ECO)*

*Peblingehus*

*Nansensgade 19*

*DK 1366 Copenhagen*

*Tel. +45 33896300*

*Fax +45 33896330*

*ero@ero.dk*

*www.ero.dk*

---